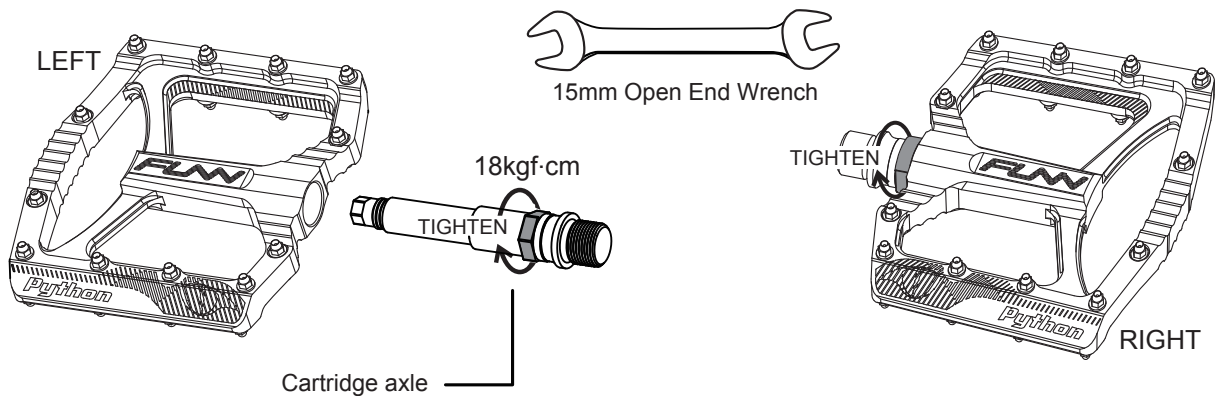


## CARTRIDGE REPLACEMENT



Do not tighten the cartridge over suggested torque.  
The hex head could be damaged by over tightening.



### Beware!

The tightening direction for cartridge axles are different for drive and non-drive side pedals. The drive side pedal is tightened in counter-clockwise and non-drive side is tightened in clockwise direction.