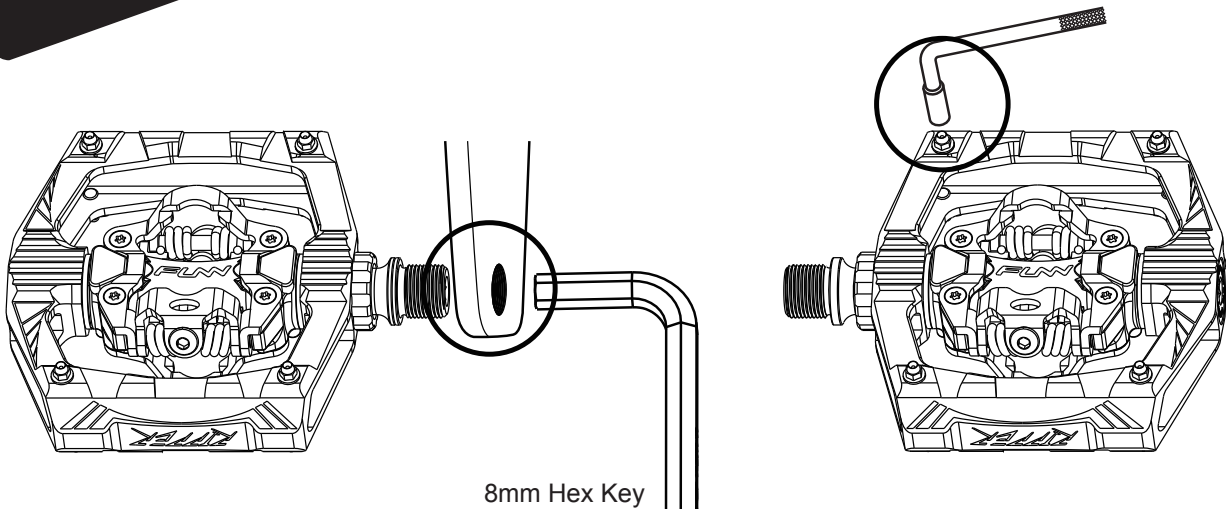




INSTALLATION AND USE



ATTACH PEDALS TO CRANKS

Pedals have 9/16" x 20T threaded axles. The right pedal is installed in a clockwise direction. The left pedal is installed in a counter-clockwise direction.

1. Lightly lubricate axle threads with grease or oil.
2. Thread axle into the crank hole with your fingers. From the other side of the crank, insert 8 mm Allen key into the recess of the axle. Screw pedal axles onto crank arms.
3. Tighten to 34 Nm (300 lb-in) torque and avoid excessive force.

GRIP PINS

You can remove the pins on the pedals to fine tune the grip. Damaged or worn grip pins can be replaced using 4 mm socket wrench.

SHOE/PEDAL USE

The tension adjuster is located on the rear binding. To adjust binding tension, use a 3 mm Allen key to turn tension adjuster.

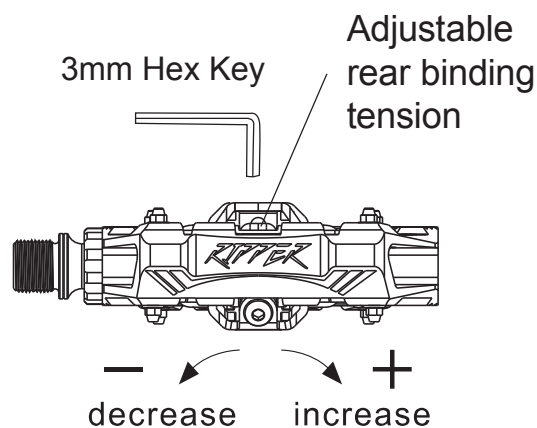
1. Increase tension in a clockwise direction

(+) (for a more secure shoe/pedal bind, but more difficult engagement and disengagement).

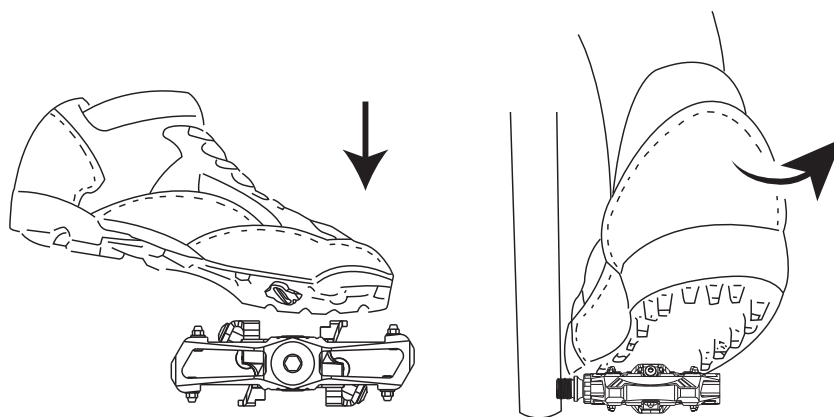
2. Decrease tension in a counter-clockwise direction

(-) (for less secure shoe/pedal bind, but easier engagement and disengagement).

Engage cleated shoes in pedals by aligning the cleat between front and rear bindings while pushing down. Disengage by twisting heel outwards (away from bicycle). Cleat will also release by twisting heel inwards if necessary (for emergency situations only).



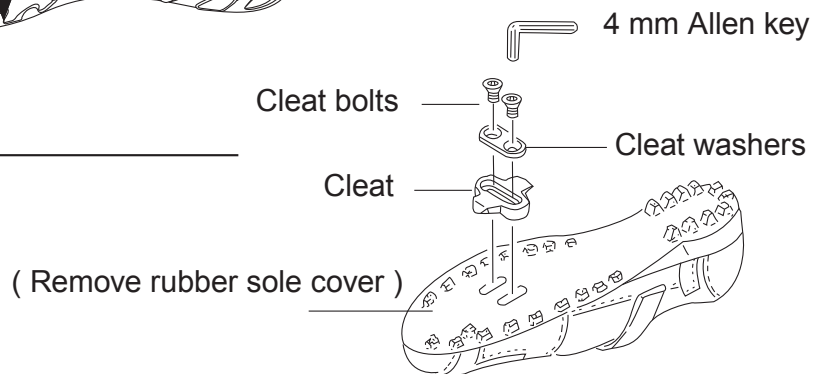
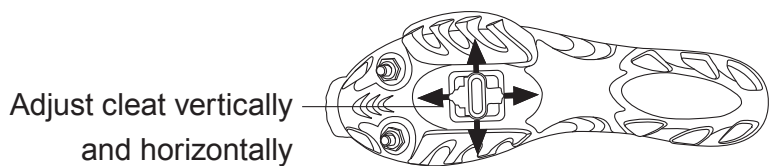
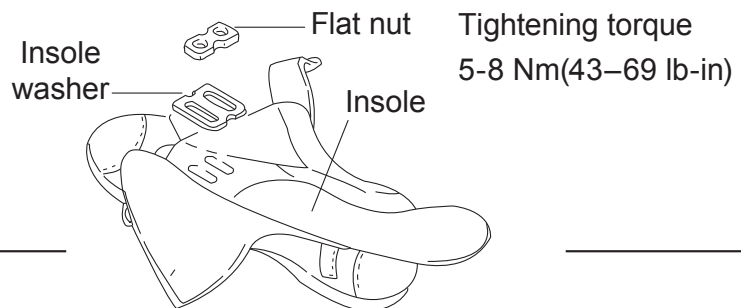
Binding adjustment range
8-14 Nm(69–121 lb-in)



ATTACH CLEATS TO CYCLING SHOES

Left and right cleats are identical.

1. Lightly lubricate cleat bolt threads with oil.
2. Using the 4 mm Allen key to attach cleat bolts and cleat washers loosely to shoe soles. The lateral center line of the cleat should be aligned with the center of the ball of the shoe sole. Adjust vertically via slots in shoe sole. Adjust horizontally via play between cleat washer and cleat.
3. Tighten the cleat to 5-8 Nm (44–70 lb-in) and avoid excessive force. Cleat position can be fine-tuned to preference after trial rides. It may take several rides to find your optimum cleat set-up.



IMPORTANT NOTES

This product is warranted under normal usage against defects in workmanship and materials to the original purchaser for one year from purchase date.

1. User assumes all risk of personal injury, damage to or failure of the product when it is used in stunt or ramp jumping, acrobatics or similar activities.
2. Pedals are warranted for use by an individual rider only. Use by multiple riders, or in a fitness center will void warranty.
3. This warranty does not cover any incidental or consequential damages, such as personal injury or any other losses due to accident, neglect, misuse, abuse, modification, normal wear and tear, improper assembly or maintenance.
4. When returning a defective product for warranty purposes, the claimant must provide proof of purchase and a written description of damages.
5. There are no other warranties implied except this express limited warranty.

MAINTENANCE

1. Pedals should be serviced if: rotating pedal emits noise, rotation by hand feels rough, there is play in the bearings.
2. Bearings should be cleaned and regreased at least once every 12 months, or at least once every 6 months if riding predominantly in wet conditions. Damaged bearings should be replaced.
3. Replace pedals with fractures in body.